

PROJECT		QUANTITY	
---------	--	----------	--

P3S Spot Light (Track)

90W LED/ 20°



ORDERING GUIDE

CXP3S - - - - **PSP** -

Mode
CLR All Modes
EZ All EZ Modes
RGB RGB Mode Only
CCT Tunable CCT Mode Only
3200 Fixed 3200K
5600 Fixed 5600K

Finish
WH White
BK Black

Mount
TOX w/ O-type DMX Track Adapter
 *Custom Track Adaptors Available

Power Supply & Control
PSP Power Supply w/ Pass-Through DMX

Plug/Connection
US US 120V
EU EU 220V

SPECIFICATIONS

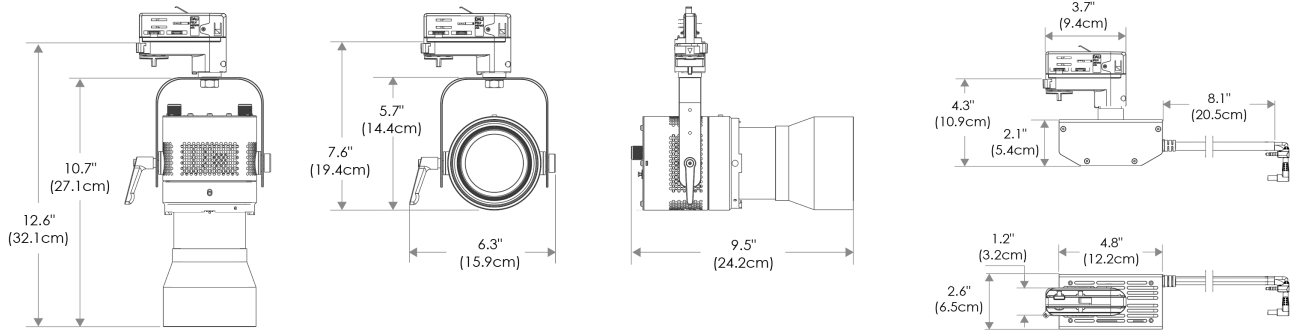
Beam Angle	20°
CRI / TLCI	95/90 typical
Dimming	100% - 0% flicker free
AC Power Draw	90W max
AC Input	100 - 240V AC, 50 - 60Hz
Remote Control	DMX 512
Cooling	Fan Cooled
Acoustic Noise	19 dBA (Auto Mode)
Operating Temp.	32 - 104°F (0 - 40°C)
Weight (Fixture + Power Supply)	3.4lb / 1.6kg
Approved Regulatory Standards	cETLus, FCC, CE, UKCA, RoHS, WEEE

- Cine-Grade Light Quality
- Point-Source LED
- DMX Controllable
- 90W Power Draw
- Compact (< 8" of Vertical Space)

MECHANICAL FIGURES

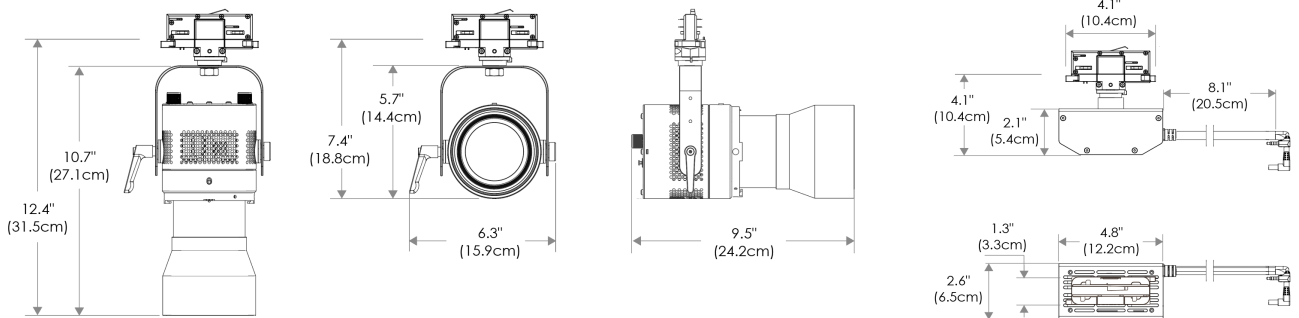
PSP

US

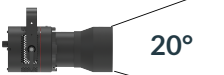


PSP

EU



PHOTOMETRIC DATA



Distance		3' (~0.9 m)	10' (~3.0 m)	15' (~4.6 m)
@3200K	fc	1267	106	53
	lux	13638	1141	571
@5600K	fc	1309	110	55
	lux	14090	1185	593
Beam Diameter		Ø 1.0' (~0.3m)	Ø 3.5' (~1.1m)	Ø 5.3' (~1.6m)

Beam Angle : 20°

