

# P3S Spot Light (Clamp)

90W LED/ 20°



## ORDERING GUIDE

**CXP3S** -  -  - **CLP** - **PSV** -

### Mode

<b>CLR</b>	All Modes
<b>EZ</b>	All EZ Modes
<b>RGB</b>	RGB Mode Only
<b>CCT</b>	Tunable CCT Mode Only
<b>3200</b>	Fixed 3200K
<b>5600</b>	Fixed 5600K

### Finish

<b>WH</b>	White
<b>BK</b>	Black

### Mount

<b>CLP</b>	Clamp Mount
------------	-------------

### Power Supply

<b>PSV</b>	Power Supply
------------	--------------

### Plug/Connection

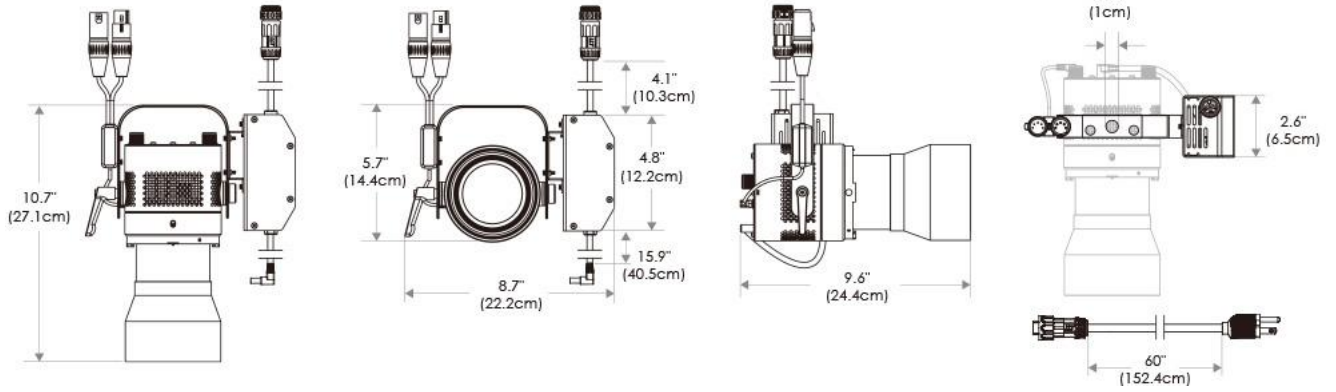
<b>US</b>	US 120V
<b>EU</b>	EU 220V

## SPECIFICATIONS

Beam Angle	20°
CRI / TLCI	95/90 typical
Dimming	100% - 0% flicker free
AC Power Draw	90W max
AC Input	100 - 240V AC, 50 - 60Hz
Remote Control	DMX 512
Cooling	Fan Cooled
Acoustic Noise	19 dBA (Auto Mode)
Operating Temp.	32 - 104°F (0 - 40°C)
Weight (Fixture + Power Supply)	3.6lb / 1.7kg
Approved Regulatory Standards	cETLus, FCC, CE, UKCA, RoHS, WEEE


- Cine-Grade Light Quality
- Point-Source LED
- DMX Controllable
- 90W Power Draw
- Compact (< 8" of Vertical Space)

## MECHANICAL FIGURES



\*All -CLP configuration models come with standard DC cables of 16" and AC cables of 5'.

## PHOTOMETRIC DATA



Distance		3' (~0.9 m)	10' (~3.0 m)	15' (~4.6 m)
@3200K	fc	1267	106	53
	lux	13638	1141	571
@5600K	fc	1309	110	55
	lux	14090	1185	593
Beam Diameter		Ø 1.0' (~0.3m)	Ø 3.5' (~1.1m)	Ø 5.3' (~1.6m)

