

P3L Ellipsoidal Light (Track)

90W LED/ 10° / 19° / 26° / 36° / 50°



ORDERING GUIDE

CXP3L - - - - - **PSP** -

Beam Angle

10 10°
19 19°
26 26°
36 36°
50 50°

Mode

CLR All Modes
EZ All EZ Modes
RGB RGB Mode Only
CCT Tunable CCT Mode Only
3200 Fixed 3200K
5600 Fixed 5600K

Finish

WH White
BK Black

Mount

TOX w/ O-type DMX Track Adapter

*Custom Track Adaptors Available

Power Supply & Control

PSP Power Supply w/ Pass-Through DMX

Plug/Connection

US US 120V
EU EU 220V

SPECIFICATIONS

Beam Angle	10° / 19° / 26° / 36° / 50°
CRI / TLCI	95/90 typical
Dimming	100% - 0% flicker free
AC Power Draw	90W max
AC Input	100 - 240V AC, 50 - 60Hz
Remote Control	DMX 512
Cooling	Fan Cooled
Acoustic Noise	19 dBA (Auto Mode)
Operating Temp.	32 - 104°F (0 - 40°C)
Weight (Fixture + Power Supply)	7.3lb / 3.3kg (With 19°/26°/36°/50° lens tube)
Weight (Fixture + Power Supply)	10.2lb / 4.6kg (With 10° lens tube)
Gobo Size	Diameter: M Size (66mm)
	Max Image: 48mm Max Thickness: 1mm
Approved Regulatory Standards	cETLus, FCC, CE, UKCA, RoHS, WEEE

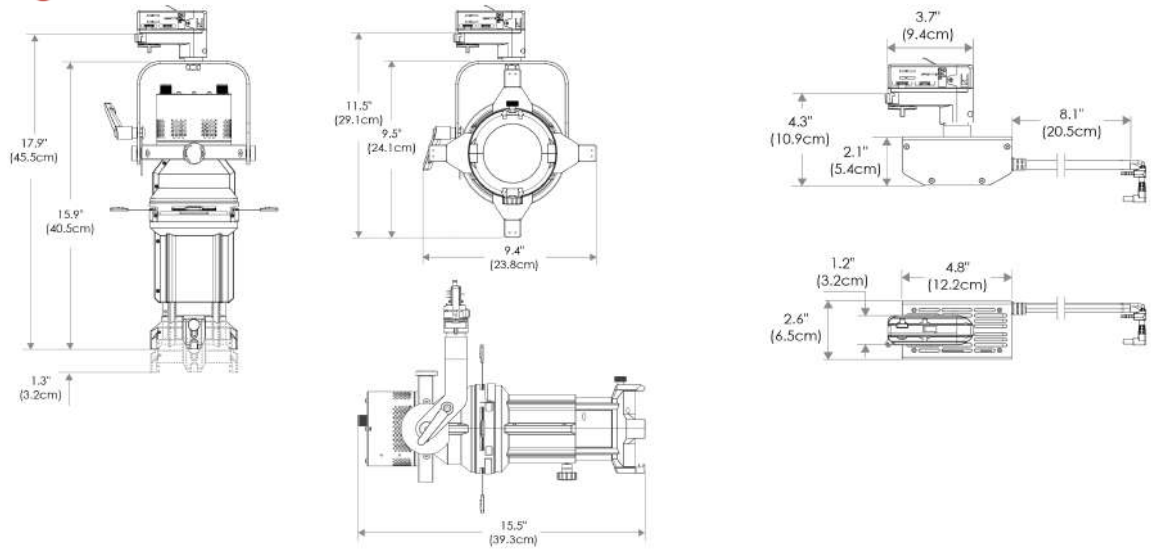
- Cine-Grade Light Quality
- Point-Source LED
- DMX Controllable
- 90W Power Draw
- Carries Four Shutter Blades

MECHANICAL FIGURES

19° / 26° / 36° / 50° Barrel

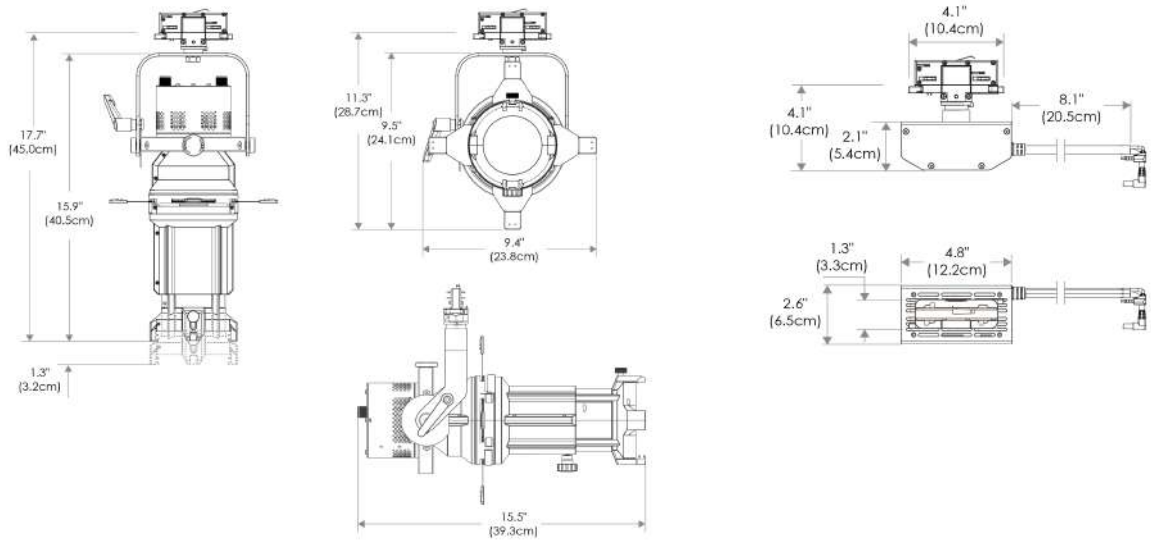
PSP

US

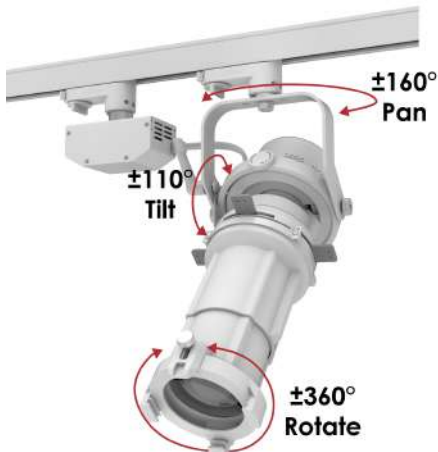


PSP

EU

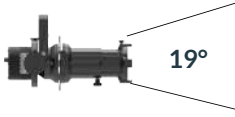


TILT/ROTATION

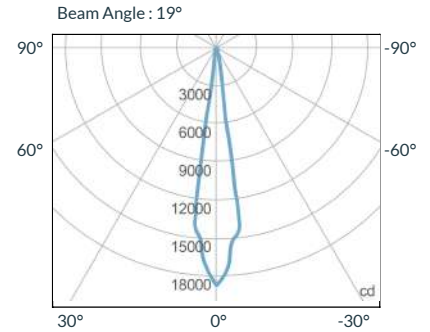


PHOTOMETRIC DATA

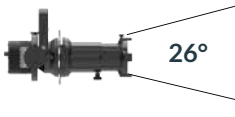
19 Degree



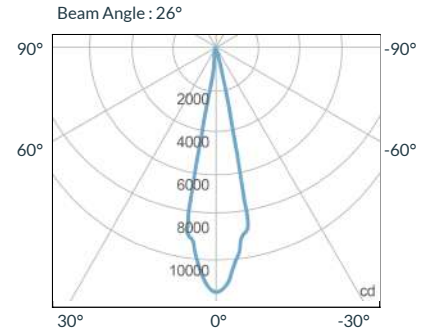
Distance		3' (~0.9 m)	10' (~3.0 m)	15' (~4.6 m)
@3200K	fc	2445	203	95
	lux	26321	2180	1020
@5600K	fc	2321	192	90
	lux	24988	2070	970
Beam Diameter		Ø 0.9' (~0.3m)	Ø 3.0' (~0.9m)	Ø 4.5' (~1.4m)



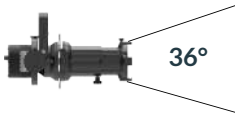
26 Degree



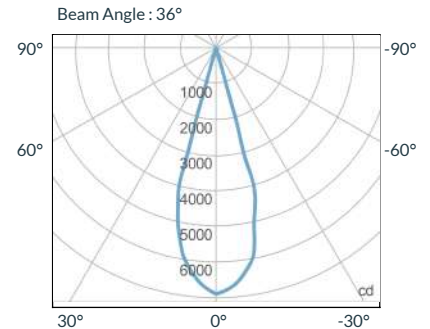
Distance		3' (~0.9 m)	10' (~3.0 m)	15' (~4.6 m)
@3200K	fc	1491	125	59
	lux	16049	1350	636
@5600K	fc	1413	119	56
	lux	15210	1280	604
Beam Diameter		Ø 1.1' (~0.3m)	Ø 3.6' (~1.1m)	Ø 5.6' (~1.7m)



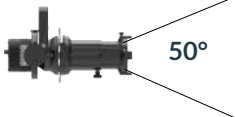
36 Degree



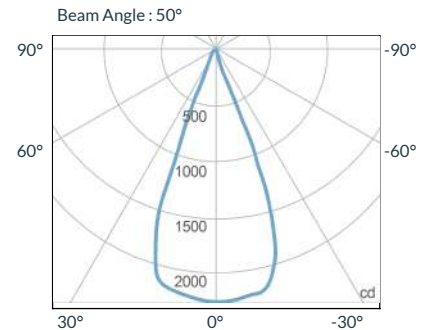
Distance		3' (~0.9 m)	10' (~3.0 m)	15' (~4.6 m)
@3200K	fc	885	76	35
	lux	9531	814	381
@5600K	fc	844	72	34
	lux	9086	773	363
Beam Diameter		Ø 1.6' (~0.5m)	Ø 5.3' (~1.6m)	Ø 8.1' (~2.5m)



50 Degree



Distance		3' (~0.9 m)	10' (~3.0 m)	15' (~4.6 m)
@3200K	fc	279	24	11
	lux	3007	259	123
@5600K	fc	264	23	11
	lux	2840	247	118
Beam Diameter		Ø 2.3' (~0.7m)	Ø 7.7' (~2.3m)	Ø 11.8' (~3.6m)



ACCESSORIES

(specify finish by adding -BK or -WH)



RPU
CLXRPU



**Leko Lens Tube
10deg**
CLXP3L-LEK010



**Leko Lens Tube
19deg**
CLXP3L-LEK019



**Leko Lens Tube
26deg**
CLXP3L-LEK026



**Leko Lens Tube
36deg**
CLXP3L-LEK036



**Leko Lens Tube
50deg**
CLXP3L-LEK050



Leko Gobo Holder
CLXP3L-
GOBOHOLDER



Leko Gobo Set of 4
CLXP3L-GOBOSET



Leko Iris
CLXP3L-IRIS



Leko Gel Holder
CLXP3L-GELHOLDER



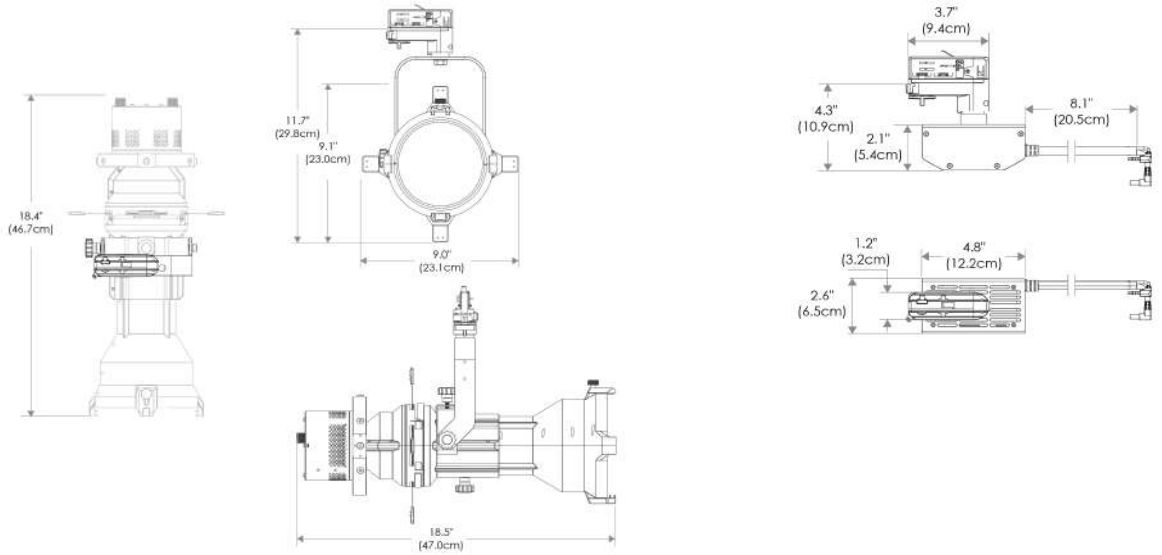
DMX 6 Channel Controller
CLXCNTL-DMX6

MECHANICAL FIGURES

10° Barrel

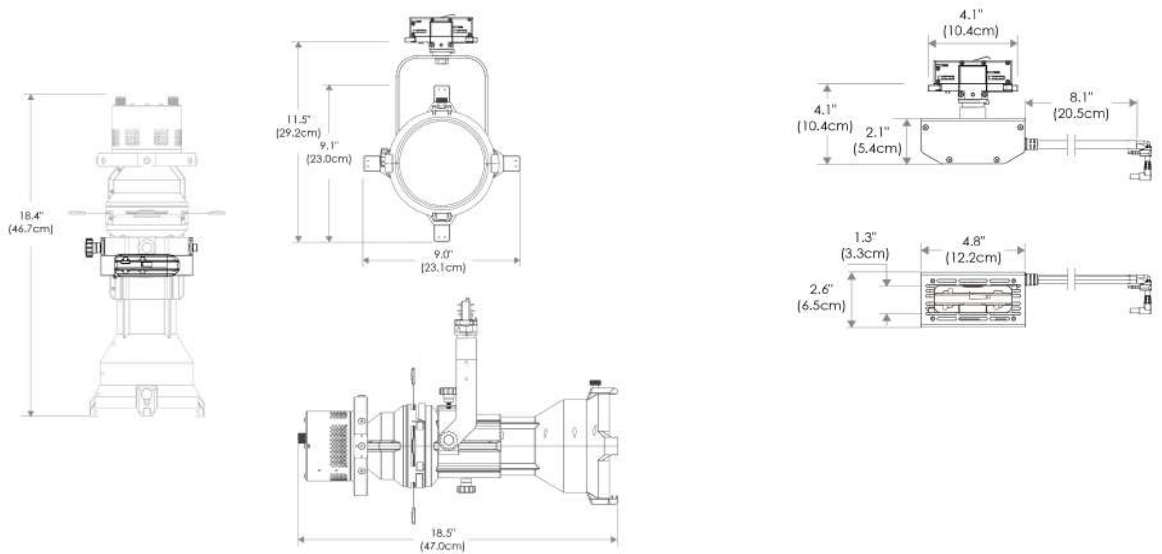
PSP

US



PSP

EU



PHOTOMETRIC DATA

10 Degree

Distance		3' (~0.9 m)	10' (~3.0 m)	15' (~4.6 m)
@3200K	fc	7294	541	252
	lux	78519	5820	2716
@5600K	fc	6836	512	238
	lux	73580	5510	2566
Beam Diameter		Ø 0.5' (~0.1m)	Ø 1.6' (~0.5m)	Ø 2.4' (~0.7m)

