

# P3L Ellipsoidal Light (Clamp)

90W LED/ 10° / 19° / 26° / 36° / 50°



## ORDERING GUIDE

**CXP3L** -  -  -  - **CLP** - **PSV** -

### Beam Angle

<b>10</b>	10°
<b>19</b>	19°
<b>26</b>	26°
<b>36</b>	36°
<b>50</b>	50°

### Mode

<b>CLR</b>	All Modes
<b>EZ</b>	All EZ Modes
<b>RGB</b>	RGB Mode Only
<b>CCT</b>	Tunable CCT Mode Only
<b>3200</b>	Fixed 3200K
<b>5600</b>	Fixed 5600K

### Finish

<b>WH</b>	White
<b>BK</b>	Black

### Mount

<b>CLP</b>	Clamp Mount
------------	-------------

### Power Supply

<b>PSV</b>	Power Supply
------------	--------------

### Plug/Connection

<b>US</b>	US 120V
<b>EU</b>	EU 220V

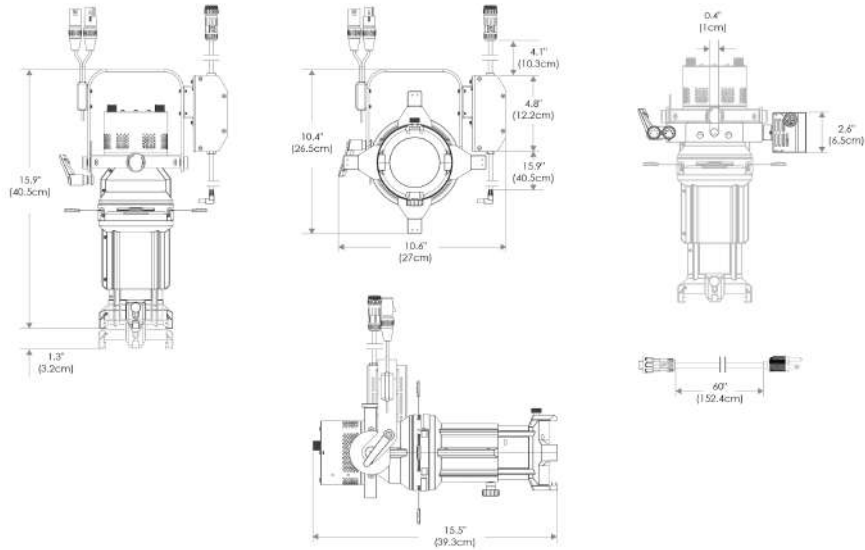
## SPECIFICATIONS

Beam Angle	10° / 19° / 26° / 36° / 50°
CRI / TLCI	95/90 typical
Dimming	100% - 0% flicker free
AC Power Draw	90W max
AC Input	100 - 240V AC, 50 - 60Hz
Remote Control	DMX 512
Cooling	Fan Cooled
Acoustic Noise	19 dBA (Auto Mode)
Operating Temp.	32 - 104°F (0 - 40°C)
Weight (Fixture + Power Supply)	8.1lb / 3.7kg (With 19°/26°/36°/50° lens tube)
Weight (Fixture + Power Supply)	11.0lb / 5.0kg (With 10° lens tube)
Gobo Size	Diameter: M Size (66mm)
	Max Image: 48mm
	Max Thickness: 1mm
Approved Regulatory Standards	cETLus, FCC, CE, UKCA, RoHS, WEEE

- Cine-Grade Light Quality
- Point-Source LED
- DMX Controllable
- 90W Power Draw
- Carries Four Shutter Blades

**MECHANICAL FIGURES**

19° / 26° / 36° / 50° Barrel



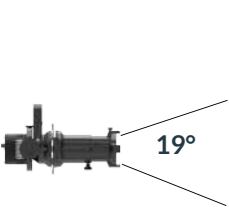
\*All -CLP configuration models come with standard DC cables of 16" and AC cables of 5'.

**TILT/ROTATION**

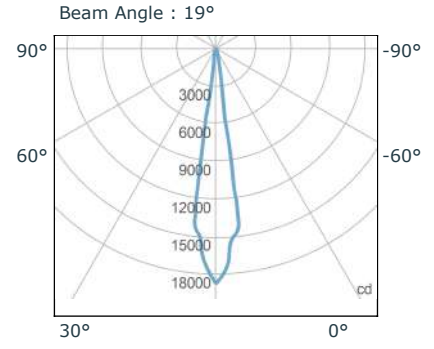


**PHOTOMETRIC DATA**

19 Degree

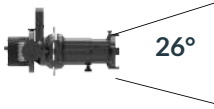


Distance		3' (~0.9 m)	10' (~3.0 m)	15' (~4.6 m)
@3200K	fc	2445	203	95
	lux	26321	2180	1020
@5600K	fc	2321	192	90
	lux	24988	2070	970
Beam Diameter		Ø 0.9' (~0.3m)	Ø 3.0' (~0.9m)	Ø 4.5' (~1.4m)

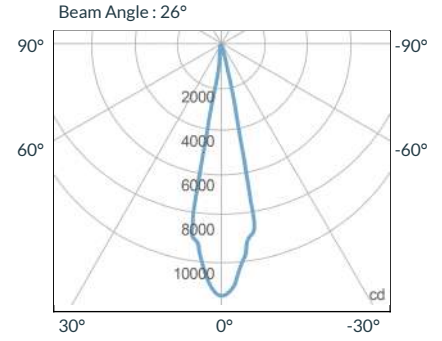


## PHOTOMETRIC DATA

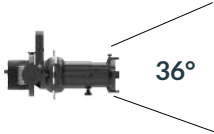
### 26 Degree



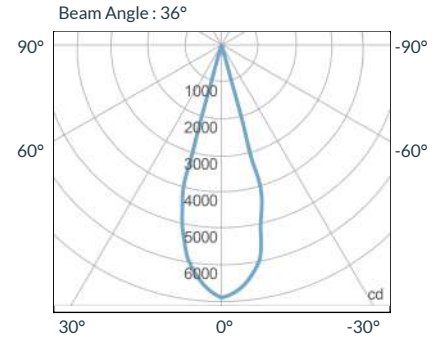
Distance		3' (~0.9 m)	10' (~3.0 m)	15' (~4.6 m)
@3200K	fc	1491	125	59
	lux	16049	1350	636
@5600K	fc	1413	119	56
	lux	15210	1280	604
Beam Diameter		Ø 1.1' (~0.3m)	Ø 3.6' (~1.1m)	Ø 5.6' (~1.7m)



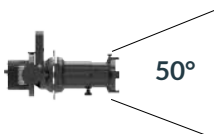
### 36 Degree



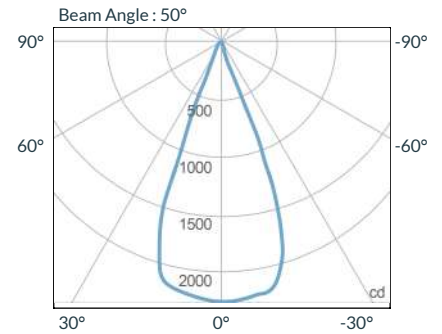
Distance		3' (~0.9 m)	10' (~3.0 m)	15' (~4.6 m)
@3200K	fc	885	76	35
	lux	9531	814	381
@5600K	fc	844	72	34
	lux	9086	773	363
Beam Diameter		Ø 1.6' (~0.5m)	Ø 5.3' (~1.6m)	Ø 8.1' (~2.5m)



### 50 Degree



Distance		3' (~0.9 m)	10' (~3.0 m)	15' (~4.6 m)
@3200K	fc	279	24	11
	lux	3007	259	123
@5600K	fc	264	23	11
	lux	2840	247	118
Beam Diameter		Ø 2.3' (~0.7m)	Ø 7.7' (~2.3m)	Ø 11.8' (~3.6m)



## ACCESSORIES

(specify finish by adding -BK or -WH)



RPU  
CLMPU



Leko Lens Tube  
10deg  
CLMPR-LR010



Leko Lens Tube  
19deg  
CLMPR-LR019



Leko Lens Tube  
26deg  
CLMPR-LR026



Leko Lens Tube  
36deg  
CLMPR-LR036



Leko Lens Tube  
50deg  
CLMPR-LR050



Leko Gobo Holder  
CLMPR-GOBHOLDER



Leko Gobo Set of 4  
CLMPR-GOBSET



Leko Iris  
CLMPR-IRS



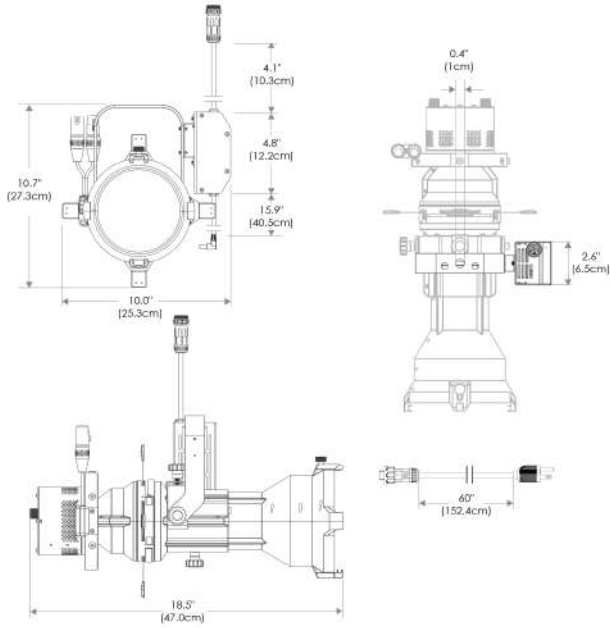
Leko Gel Holder  
CLMPR-GELHOLDER



DMX 6 Channel Controller  
CLMNTL-DMX6

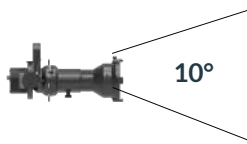
**MECHANICAL FIGURES**

**10° Barrel**



**PHOTOMETRIC DATA**

**10 Degree**



Distance		3' (~0.9 m)	10' (~3.0 m)	15' (~4.6 m)
@3200K	fc	7294	541	252
	lux	78519	5820	2716
@5600K	fc	6836	512	238
	lux	73580	5510	2566
Beam Diameter		Ø 0.5' (~0.1m)	Ø 1.6' (~0.5m)	Ø 2.4' (~0.7m)

